

FM TUNER FOR CAR AUDIO.

FEATURES

- Upper Side Band Super Heterodyne System.
- Intermediate Frequency : 10.7MHz.
- ANT Input Impedance : 75Ω Unbalance.
- IF Output Impedance : 300Ω Unbalance.
- Receiving Frequency : 87.5~108.0MHz.
- Operation Tuning Voltage : 1.2~8V(Ta=25℃).

MAXIMUM RATING (Ta=25℃)

CHARACTERISTIC	SYMBOL	RATING	UNIT
Supply Voltage	V _{CC}	10	V
Tuning Voltage	V _T	8	V
AGC Voltage	V _{AGC}	6	V
Operating Temperature Range	T _{opr}	-20~70	℃

TUNING VOLTAGE

Receiving Frequency [MHz]	MIN.	TYP.	MAX.	UNIT	Receiving Frequency [MHz]	MIN.	TYP.	MAX.	UNIT
87.5	1.2	1.5	-	V	98.0	-	3.5	-	V
88.0	-	1.6	-		100.0	-	4.0	-	
90.0	-	1.7	-		102.0	-	4.6	-	
92.0	-	1.8	-		104.0	-	5.3	-	
94.0	-	1.9	-		106.0	-	6.1	-	
96.0	-	2.0	-		108.0	-	7.0	8.0	

KCF201SV/SH

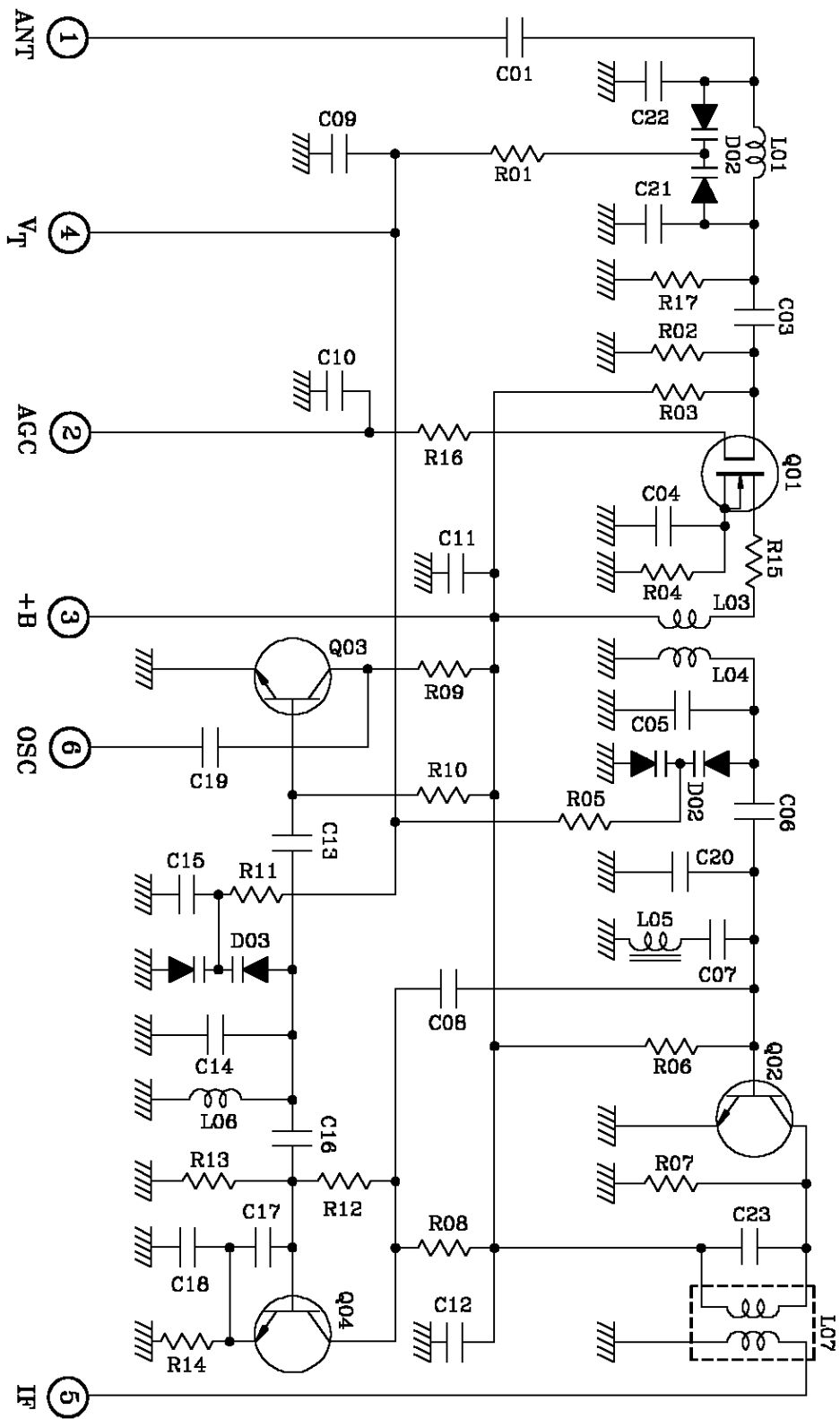
ELECTRICAL CHARACTERISTICS (Ta=25°C)

(Unless Otherwise Specified : V_{CC}=8.2V, f_i=98MHz, Δf=22.5kHz, V_{AGC}=5V)

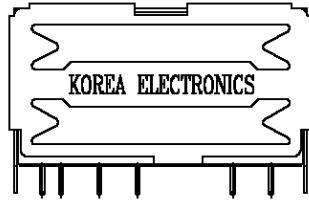
CHARACTERISTIC	TEST CONDITION	MIN.	TYP.	MAX.	UNIT
Power Gain		28	34	40	dB
Gain Balance		-	2.0	6.0	dB
Noise Figure		-	6.0	9.0	dB
Image Rejection		45	55	-	dB
IF Rejection		70	80	-	dB
1/2 IF Rejection		75	80	-	dB
2 X OSC Rejection		70	80	-	dB
AGC Reduction	5V→0V	-15	-20	-25	dB
OSC Output Voltage	1kΩ Load(rms)	100	120	180	mV
IF Band Width	-3dB	300	500	700	kHz
Current Consumption		20	30	40	mA
OSC +B Stability	STD Voltage ±10%	-	±200	±250	kHz
OSC Frequency Drift Against Strong Signal Input	ANT Input Level 60dBμV→120dBμV	-	±5	±30	kHz
Spurious		Shall be Contented FCC, FTZ Rule			
OSC Temperature Drift	20±40°C	MAX. ±600			kHz
		MAX. ±6.0			dB
OSC Stop Voltage		MIN. 4.5			V

※ Standard Testing Condition

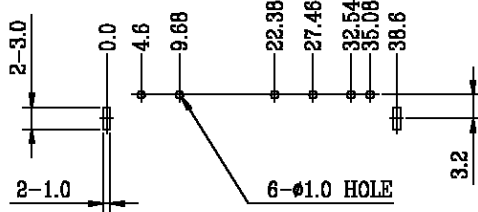
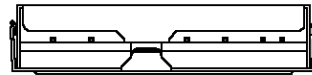
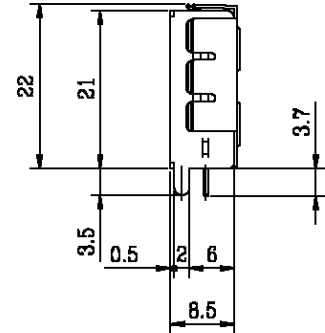
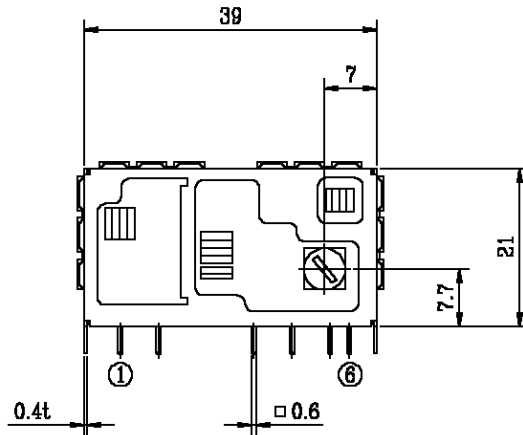
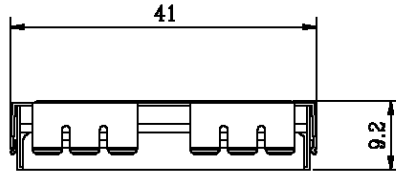
1. Temperature Condition : 20±2°C
2. Relative Humidity Condition : 60±5%
3. Allowable Variation Of Supply Voltage : ±0.1V(Max.)
4. Allowable Variation Of Tuning Voltage : ±0.01V(Max.)



NO	PART'S NAME	MATERIAL	SIZE	TREATMENT	REMARK			
MODEL NO	SCALE	UNIT	DATE	DRAW NO	T1-U1-600-0026			
KCF201S	1/1	mm	1999. 02. 12					
KEC	REFERENCE			THIRD ANGLE DRAW	DRAW	DESIGN	CHECK	APPRO
	MODULE DEVELOPMENT GROUP							



* TERMINALS	
1	A N T
2	A G C
3	B+
4	VT
5	IF OUT
6	OSC OUT



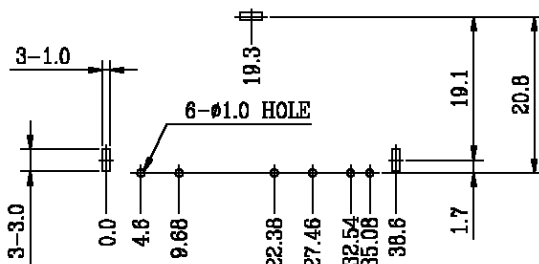
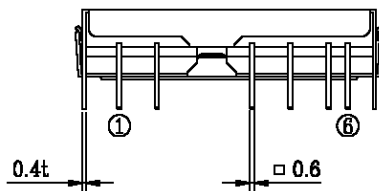
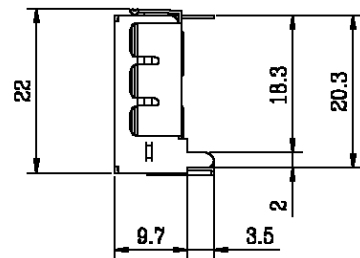
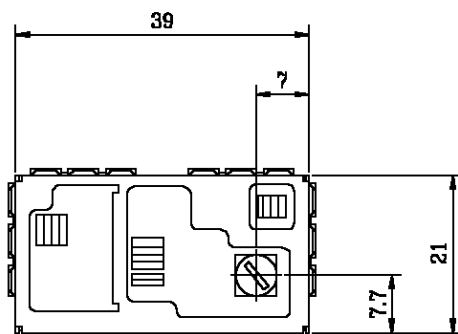
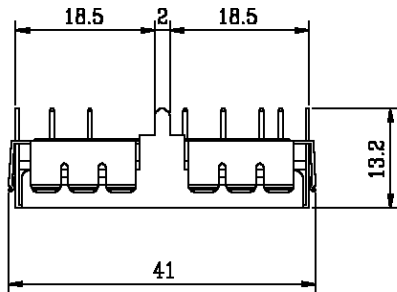
HOLE DIMENSIONS (TOP VIEW) *TOLERANCE : ±0.1

* TOLERANCE : ±0.5

OUT LINE									
NO	PART'S NEME	MATERIAL		SIZE	TREATMENT	REMARK			
	MODEL NO	SCALE	UNIT	DATE	DRAW NO	T1 - U2 - C00 - 0056			
	KCF201SV	1/1	mm	1998. 08. 04					
KEC	REFERENCE					DRAW	DESIGN	CHECK	APPRO
	MODULE DEVELOPMENT GROUP								



* TERMINALS	
1	A N T
2	A G C
3	B+
4	VT
5	IF OUT
6	OSC OUT



HOLE DIMENSIONS (TOP VIEW) *TOLERANCE : ±0.1

* TOLERANCE : ±0.5

OUT LINE									
NO	PART'S NEME	MATERIAL		SIZE	TREATMENT	REMARK			
MODEL NO	SCALE	UNIT	DATE		DRAW NO	T1 - U2 - C00 - 0055			
KCF201SH	1/1	mm	1998. 08. 04						
KEC	REFERENCE					DRAW	DESIGN	CHECK	APPRO
	MODULE DEVELOPMENT GROUP								